

CH01 sedia

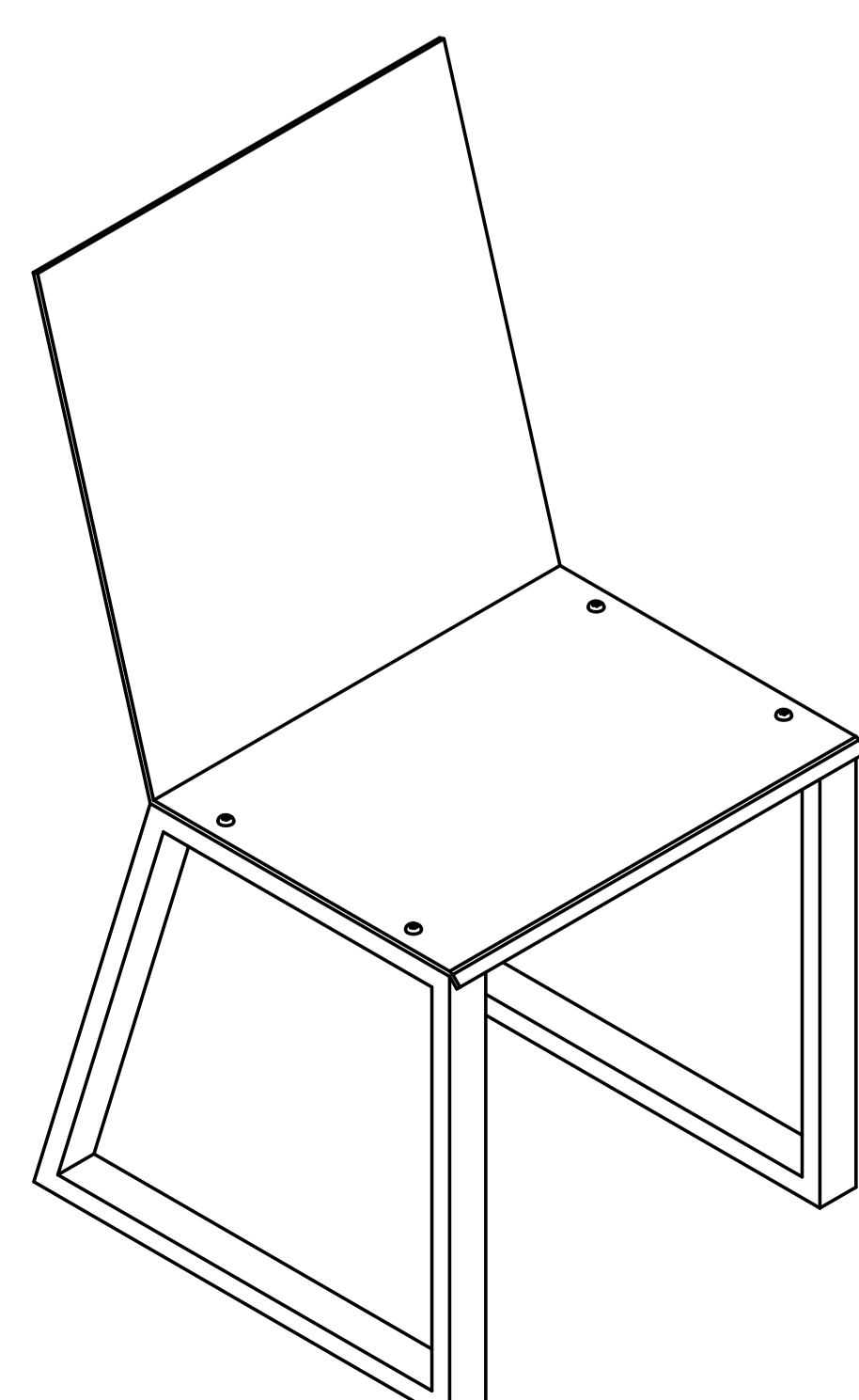
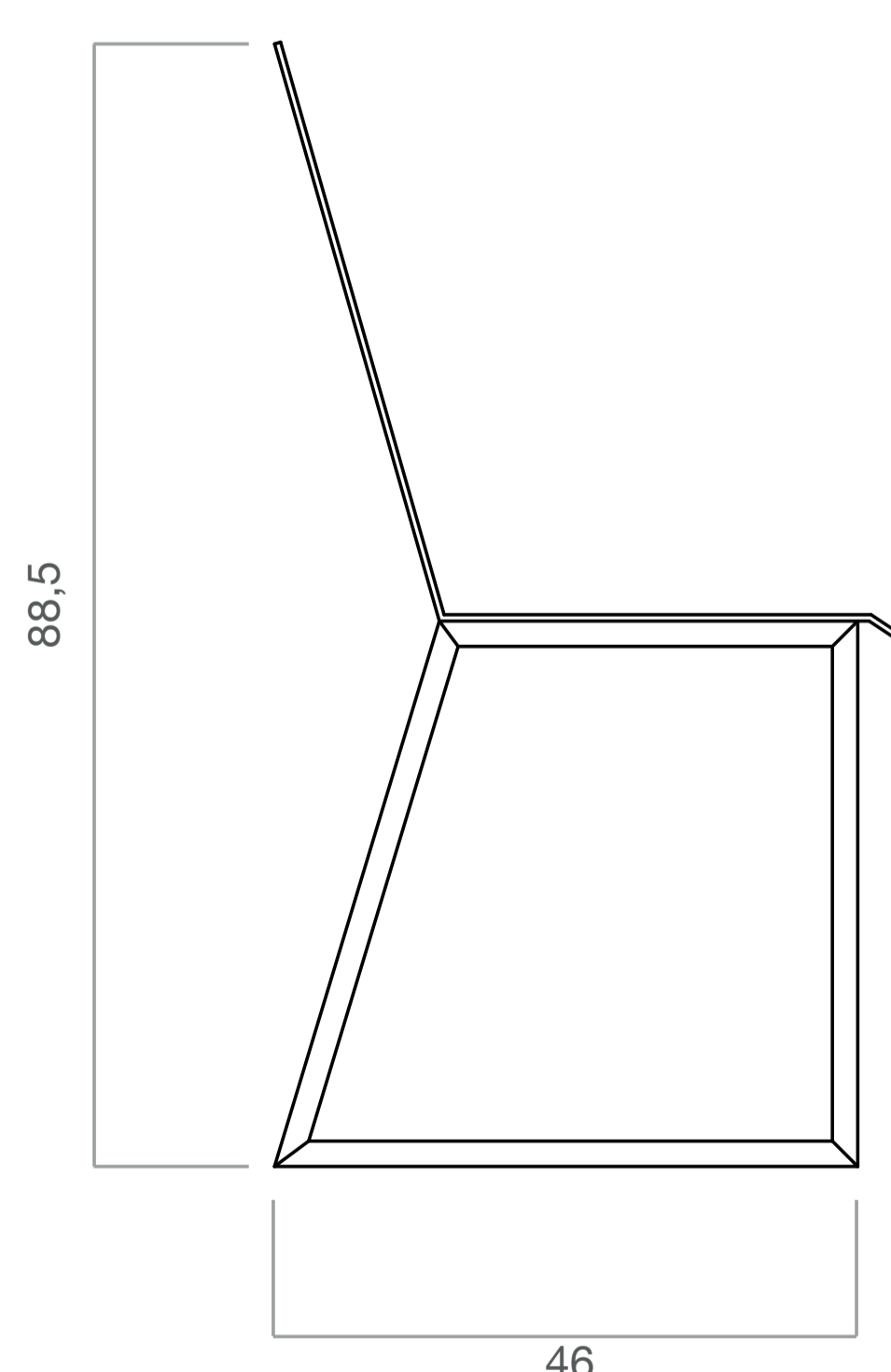
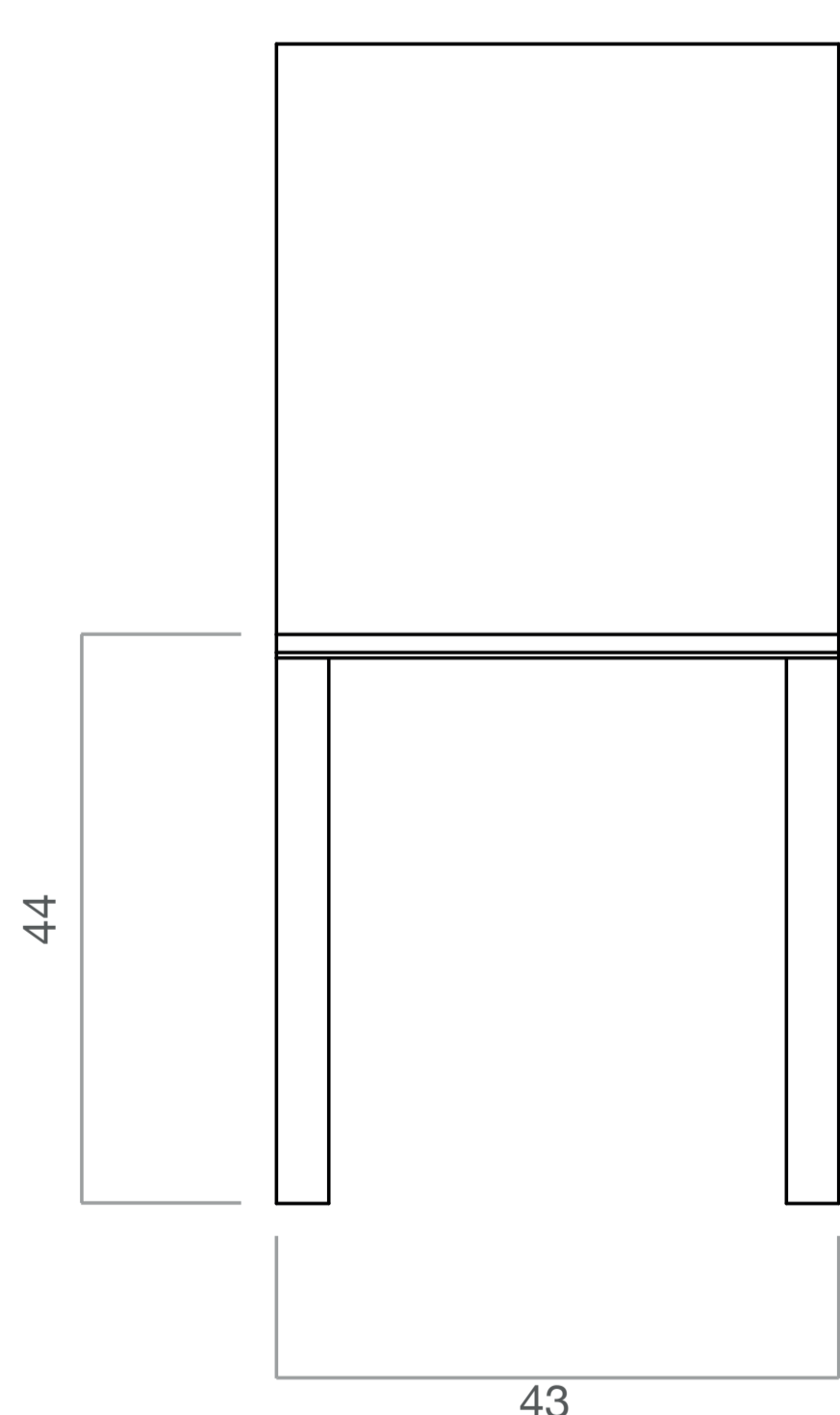
Designer

>> Riccardo Parmiciano Borgström - **Bhulls**



Elementary is necessary

CH01 chair is made by only three elements bolted together by four stainless steel pins. A light, thin and slender chair with a long lasting life span. Simplicity and material optimisation characterize the design process. Simplified production and assembly processes make CH01 a low environmental impact chair, with a minimal design. The shell, obtained by a single press-bent aluminum plate, it's smooth and slightly flexible, favouring seat's ergonomics, while welded profiles generates the support. The crafting and assembling process, are immediately visible, becoming pivotal element and exalting the high skilled craftsmanship. The surfaces are naturally finished to preserve and enhance materiality of aluminum for a cool tactile and visual experience. CH01 it's an essential and monolithic seat, sustainable, fully recyclable and suitable both for indoor and outdoor.



Features

Materials

>> Aluminum

Finishes

>> Brushed aluminum
>> Polished aluminum
>> Blackened aluminum

Location type

>> Indoor and outdoor

Dimensions

>> (43 x 46 x h 88,5) cm - seat (h 44) cm

Weight

>> 7,6 kg