

Star Armchair

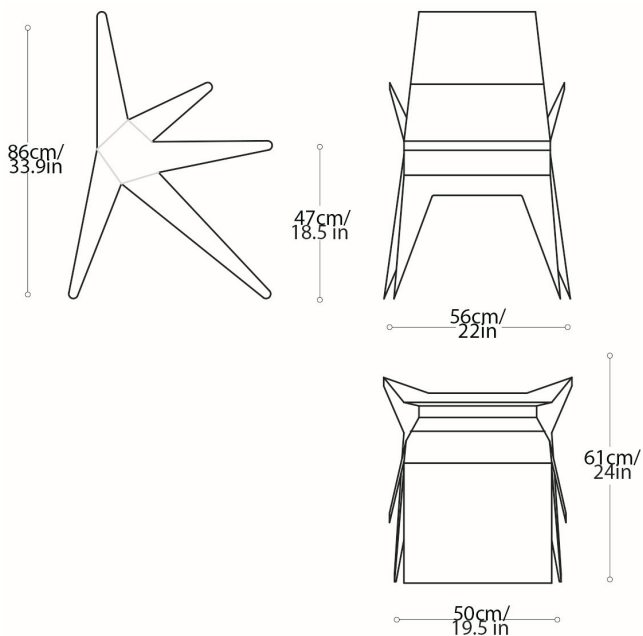
Designer

» Antonio Pio Saracino



Transforming a living room into a starry sky

Made from a single, lightweight, artfully wrought, hand-finished aluminum sheet, it draws a three-dimensional star that forms the structure of this chair of inimitable style.



Features

<i>Materials:</i>	» Aluminum
<i>Finishes:</i>	» Painted with RAL color » Satin Aluminum
<i>Location type:</i>	» Indoor or Outdoor use
<i>Measurements:</i>	» (56 x 61 x h 86) cm - seat (h 47) cm
<i>Weight:</i>	» 7 kg
<i>Accessories on demand:</i>	» Seat and back cushions in fabric or leather COM, COL, or a selection from our fabric collection