

Vases

Designer

» Robert Evans



The harmony of contrasts between shapes to enhance the concept of material elegance

A collection of entirely handmade vases that bring modern elegance to indoor and outdoor spaces, this is a series of playful design items that enrich the surroundings thanks to the contrast between rich materials and formal configurations. The smooth and soft lines of the vases Ovale, Ondina and Circolo give sensual joy and vitality to the surroundings in contrast with the minimal and rigorous elegance of the triangular, geometric cut of Trittico.

Available non-standard sized vases upon request.

Vase Circolo

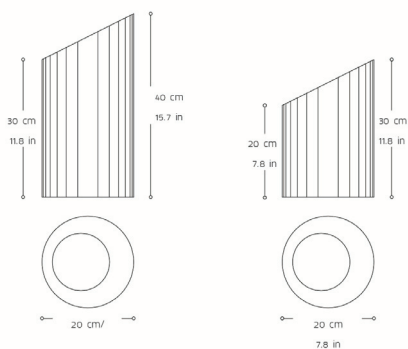
Materials: » Stainless steel, Carbon steel, CorTen

Finishes: » Mirror polished, Satin, Painted, Rust

Available measurements: » (20 x h 31) cm

» (20 x h 40) cm

Weight: » 3.5 kg



Vase Ovale

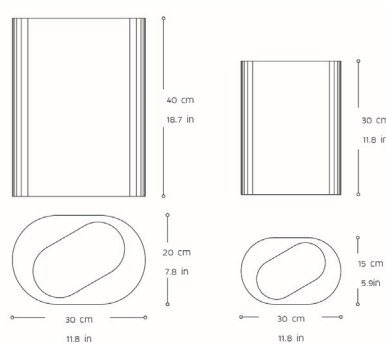
Materials: » Stainless steel, Carbon steel, CorTen

Finishes: » Mirror polished, Satin, Painted, Rust

Available measurements: » (30 x h 30) cm

» (30 x h 40) cm

Weight: » 4.3 kg



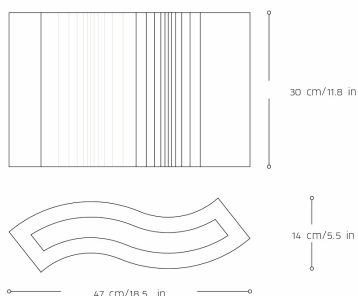
Vase Ondina

Materials: » Stainless steel, Carbon steel, CorTen

Finishes: » Mirror polished, Satin, Painted, Rust

Available measurements: » (14 x 47 x h 30) cm

Weight: » 4.3 kg



Pair of vases Trittico

Materials: » Stainless steel, Carbon steel, CorTen

Finishes: » Mirror polished, Satin, Painted, Rust

Available measurements: » Vase n°1: (13 x 13 x h 35) cm

» Vase n°2: (13 x 13 x h 40) cm

Weight: » 2.7 kg

